

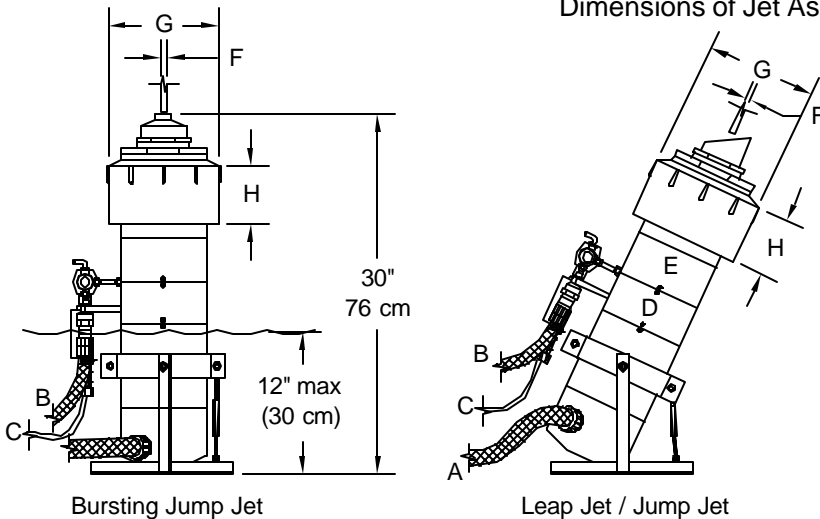
Sundance
Water
Design

INNOVATIVE FOUNTAINS

- Designers
- Engineers
- Manufacturers
- Consultants

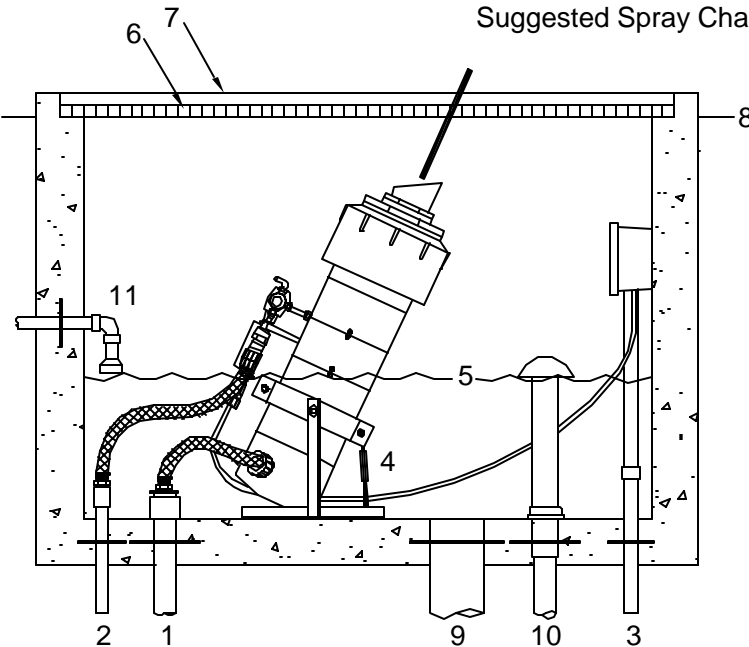
INSTALLATION DATA
LAMINAR FLOW NOZZLE LEAPJET/
BURSTING JUMPJET SERIES
SIX INCH (6") DIAMETER BODY
MODEL NO. LLJ-060-5/8

Dimensions of Jet Assembly



- A. Vinyl Braided Hose 1" (NPT)
- B. Vinyl Braided Hose 3/4" (NPT)
- C. Electrical 16/3 AWG x 10 ft. (3 m.)
- D. Main Orifice - 5/8" dia. (1.59 cm)
- E. Secondary Orifice - 1/8" dia. (.32 cm)
- F. Laminar Flow Diameter - 5/8" (1.59 cm)
- G. Splash Enclosure Diameter - 9 1/2" (24 cm)
- H. Splash Enclosure Height - 6" (15.24 cm)

Suggested Spray Chamber Installation



1. Nozzle water supply minimum 1" (NPT)
2. Control water supply 3/4" (NPT)
3. Electrical conduit 3/4" (NPT)
4. Stainless steel anchor bolts 1/4 20 x 1 1/2" (or 8 mm x 4 cm)
5. Maximum water level (12")
6. Fiber grate or SS or PP Decking
7. No-splash matting
8. Height of top above ground level 4" (10 cm)
9. Balancing pipe 3" (NPT)
10. Overflow pipe 3" (NPT) (1 Basin only)
11. Float fill valve supply 1" (NPT) (1 Basin Only)

Note:

Permanent installations can either be concrete or fiberglass. Minimum inside diameter 42" (1.1 m) x 30" (.8 m) minimum depth. Suggested dimensions 4 ft (1.2 m) diameter x 3 ft (.9 m) deep.

Installation Notes:

- Run correct size piping as shown on plans
- Water level not to exceed 12" (30 cm)
- Control water of 20 psi (1.5 kg/cm²) or better
- Fully adjustable head from 60° angle to 90° vertical
- For best results maximum distance for 6" Head from point of departure to point of arrival should not exceed 14 feet (4.3 m)
- Filter strainer required for circulation line

Refer to contract for Terms and Conditions for Sale.

Product Specifications are subject to change without notice due to continuous research and development.

Distributed by

600 East Pinon Street Farmington, NM 87401 (505) 326-7177